

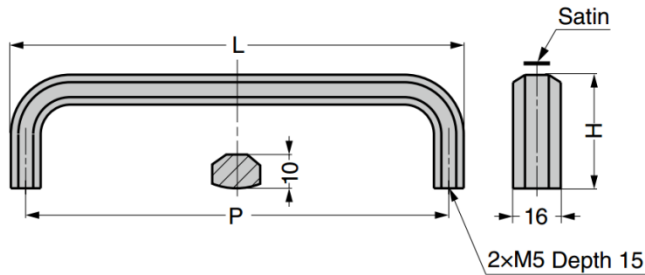
GXL-CU Stainless Steel Handle

Material

- Stainless steel 303, polished and satin finish

Parts Included

- Truss head screw M5×30 (SUS)



Part No.	L	H	P
GXL-CU80TT	82	32	72
GXL-CU100TT	102	34	92
GXL-CU120TT	122	36	112
GXL-CU150TT	152	38	142
GXL-CU180TT	182	40	172
GXL-CU220TT	222	42	212
GXL-CU300TT	302	44	292

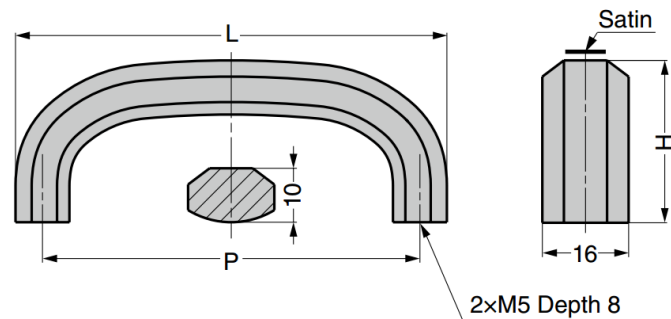
GXL-CUR Stainless Steel Handle

Material

- Stainless steel 303, polished and satin finish

Parts Included

- Truss head screw M5×25 (SUS)



Part No.	L	H	P
GXL-CUR80TT	80	30	70
GXL-CUR100TT	100	32	90
GXL-CUR120TT	120	34	110
GXL-CUR150TT	150	36	140